

Steering Column, Remove and Install



Important!

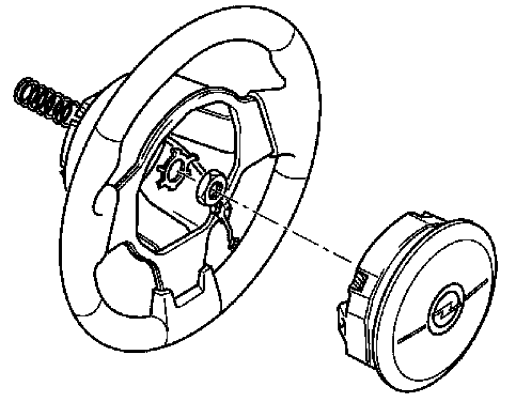
Observe safety regulations during operations on the airbag.



Remove, Disconnect

Driver's airbag - see operation "Driver's Airbag, Remove and Install" in group C.

Steering wheel assembly - see operation "Steering Wheel Assembly, Remove and Install".



T 9563



Remove, Disconnect

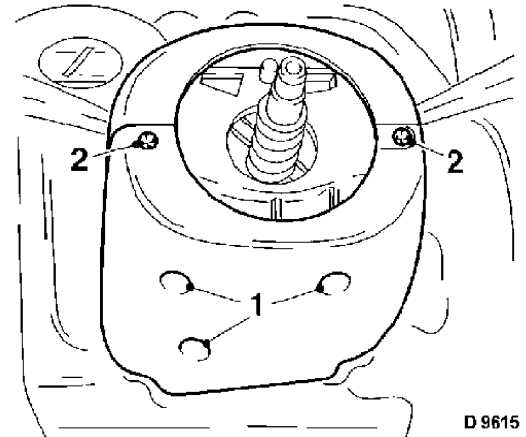
Upper and lower shrouds from steering column - screws (1,2).

Harness connector from contact unit.

Harness connector from turn signal switch.

Harness connector from screen wiper switch.

Harness connector from ignition switch.

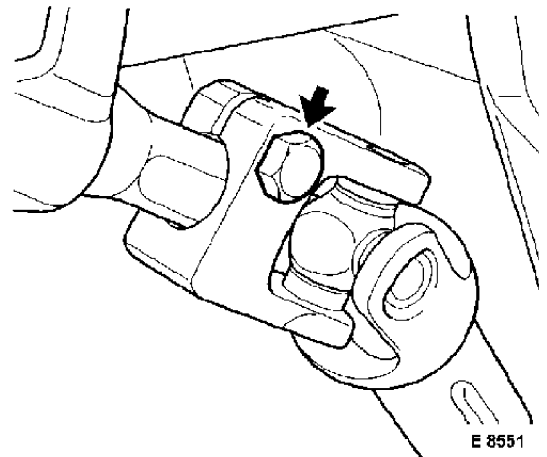


D 9615



Remove, Disconnect

Pinch bolt (arrowed) from universal joint on steering column.



E 8551



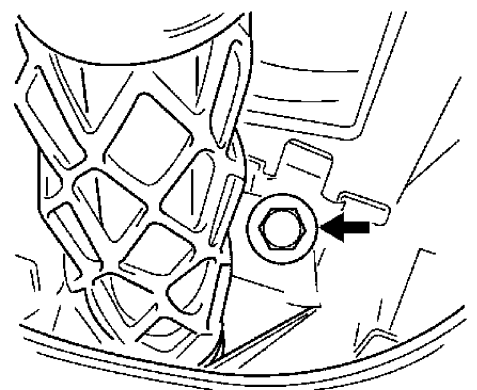
Remove, Disconnect

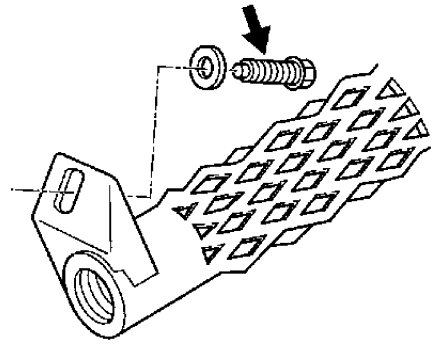
Steering column from vehicle - bolts (arrowed).



Install, Connect

Steering column to vehicle - lower bolt 45 Nm; upper bolts 22.5 Nm (arrowed).



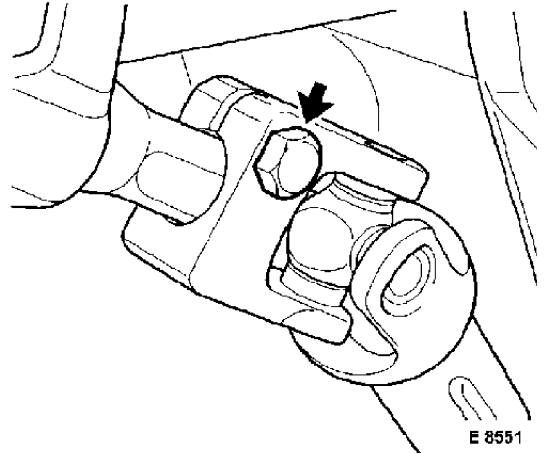


T 9646



Install, Connect

Pinch bolt (arrowed) to universal joint on steering column - 35 Nm.

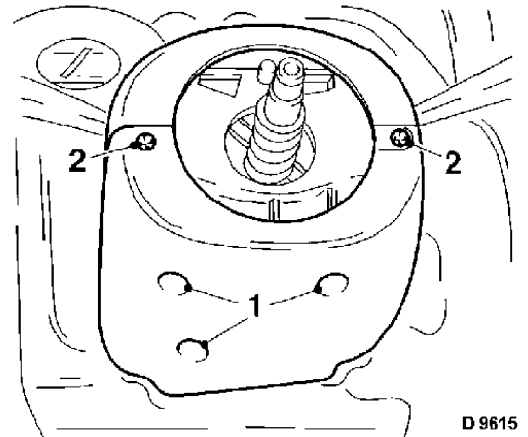


E 8551



Install, Connect

- Harness connector to ignition switch.
- Harness connector to screen wiper switch.
- Harness connector to turn signal switch.
- Harness connector to contact unit.
- Airbag coil to steering column - connect harness connector.
- Upper and lower shrouds to steering column - screws (1,2).

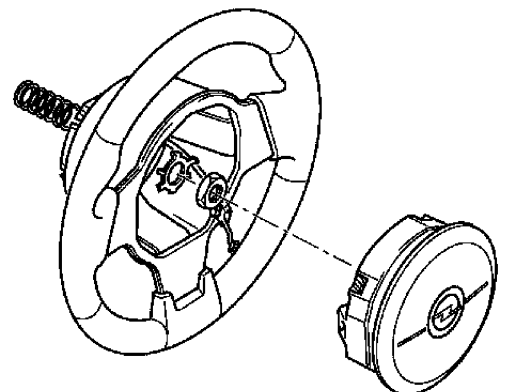


D 9615



Install, Connect

- Steering wheel assembly - see operation "Steering Wheel Assembly, Remove and Install".
- Driver's airbag - see operation "Driver's Airbag, Remove and Install" in group C.



T 9563

